

# Dot-Less 1-2 Luminous

Dot-Less 1-2 is specially designed and created for illuminating glossy surfaces and indirect lighting. It is a better choice compared to conventional light sources when illuminating glossy material to avoid ugly LED dots' reflection.

Our Dot-Less 1-2 fixture have a low profile of just 9mm (H) and also customizable at every 35.7mm.



LED Pitch 5.1mm

DC24V

9.0W/m

Indoor

**Ra93  
Typical**

All CCT including 1800K  
2000K, 2200K  
2500K

R9 90 CRI Ra98(typical) Available as semi-custom spec  
(Refer to model co code page)

1149  
lumen/m

Dimmable

Custom  
Length



# MODEL NO

Model No

**VD XXXX – XXX B – 1 - 2 - XX**

Fixture Type

Fixture Length

Color Temperature

Type of LED used

Version

## Fixture Type

**VD** → Dot-Less (9.0W/m)

## Fixture Length (for Dot-Less)

- 0974** → approx 1m /= L974mm, **Standard**, 9.0W/unit
- 0330** → L330mm, **Standard**, 3.0W/unit
- 1120** → L1120mm, **Standard**, 10.5W/unit
- 0832** → L832mm, **Build-to-order**, 7.7W/unit
- 0652** → L652mm, **Standard**, 8.7W/unit
- 0540** → L540mm, **Standard**, 5.0W/unit
- 0438** → L438mm, **Build-to-order**, 4.4W/unit
- 0189** → L189mm, **Build-to-order**, 1.7W/unit

Fixture length customizable at every 35.7mm

## Color Temperature

- 78xx** → Clear white 7800K (for senior citizen/ hospital applications)
- 403** → Cool White 4000K
- 353** → 3500K, **Build-to-order**
- 303** → Light Warm White 3000K
- 273** → Standard Warm White 2700K
- 253** → Warm White 2500K, **Build-to-order**

Other types of CCT available: 1800K, 2000K, 2200K, 4500K, 5000K

## Type of LED used

**B** → Type B, manufactured by NICHIA Japan (Ra93 typ.)

## Version

**1-2** → 1-2 Version

LS: Luminous Series  
(high-efficient/ high CRI Ra93(typical))  
OS: CRI Ra98(typical) R9 90  
(as custom specification)



## Example

**VD**

**0974 – 303**

**B – 1-2 - LS**

Fixture Type

Fixture Length

Color Temperature

Type of LED used

Version

Dot-Less  
(9.0W/m)

approx 1m /=  
L974mm, **Standard**  
9.0W/unit

Light Warm White  
3000K

Type B,  
manufactured by  
NICHIA Japan  
(Ra93 typ.)

1-2 Version

LS: Luminous Series

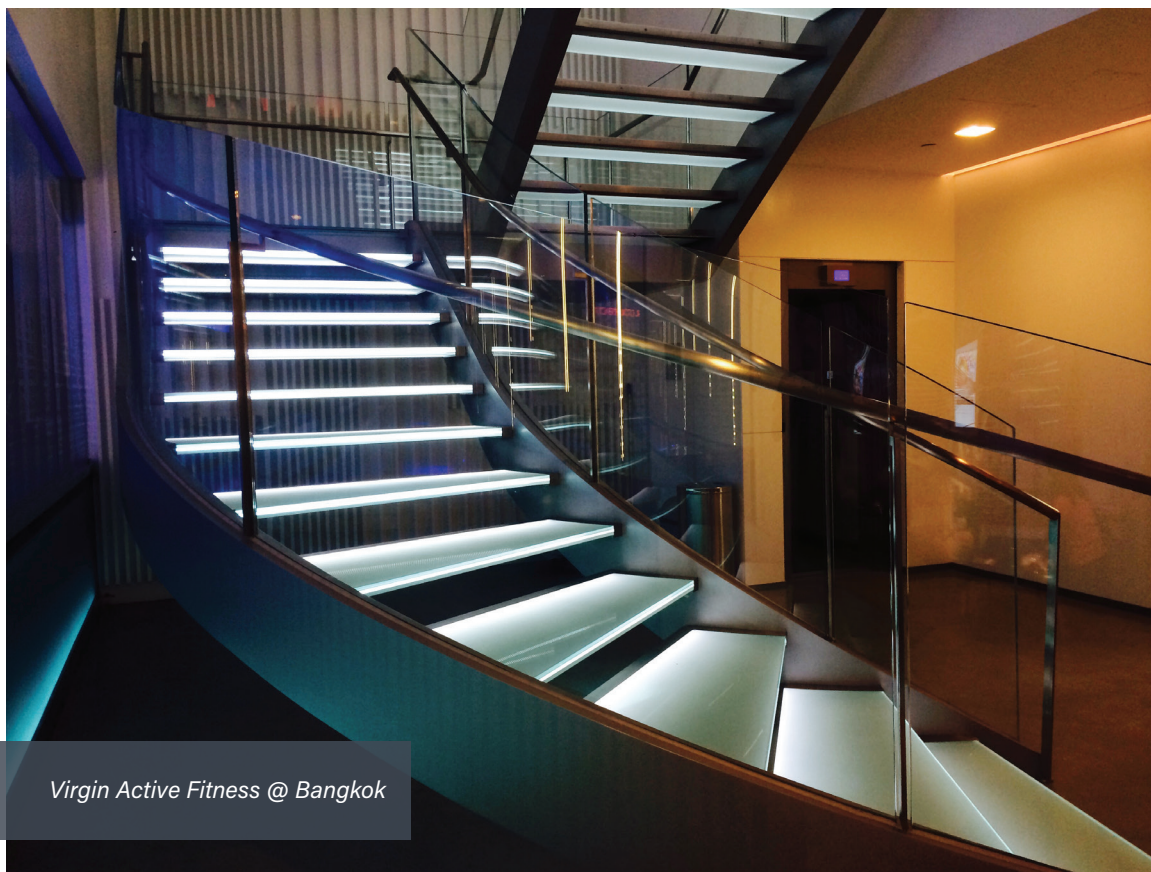
## PRODUCT SPECIFICATIONS

Product Name	Dot-Less ver.1-2 Luminous (Standard Length)		Dot-Less ver.1-2 Luminous (Customized Length / Build-to-order)			
Model No.	VD0330-xx-1-2 (L330mm) <sup>-LS</sup>	VD0974-xx-1-2 (L974mm) <sup>-LS</sup>	VD0189-xx-1-2 (L189mm) <sup>-LS</sup>	VD0652-xx-1-2 (L652mm) <sup>-LS</sup>	VD0832-xx-1-2 (L832mm) <sup>-LS</sup>	VD1120-xx-1-2 (L1120mm) <sup>-LS</sup>
Input Voltage	24 Vdc (TDK Lambda recommended)					
Power Consumption	3.0 W	9.0 W	1.7 W	7.7 W	8.7 W	10.5 W
Dimension (mm)	330*15.6*8.8(H)	974*15.6*8.8(H)	189*15.6*8.8(H)	652*15.6*8.8(H)	832*15.6*8.8(H)	1120*15.6*8.8(H)
Weight	68 grams	192 grams	39 grams	135 grams	163 grams	220 grams
Casing Body	Aluminium Heatsink with UV-resistant Polycarbonate Semi-Frosted Diffuser					
LED Beam Angle	105°	105°	105°	105°	105°	105°
Operating Temperature	-10°C~50°C	-10°C~50°C	-10°C~50°C	-10°C~50°C	-10°C~50°C	-10°C~50°C
Maximum Length of Series Connection	4 meter	4 meter	4 meter	4 meter	4 meter	4 meter
Option Parts	Mounting clip bracket 0° (flat) type / 30° fixed angle type					
No of LEDs	63	189	35	126	161	224
Power Supply Unit	24.0 Vdc Constant-Voltage Switching Power Supply (*TDK Lambda brand)					
Dimming Control	*With recommended 0-10V/DMX compatible dimming driver unit					
Lumens (typical @ 3000K)	393	1179	(220) No data/ Estimated	(780) No data/ Estimated	(1000) No data/ Estimated	(1350) No data/ Estimated
<b>Available LED Color</b>						
Clear White 7800K <i>*Build-to-order</i>	●	●	●	●	●	●
Cool White 4000K	●	●	●	●	●	●
3500K <i>*Build-to-order</i>	●	●	●	●	●	●
Light Warm 3000K	●	●	●	●	●	●
Standard Warm 2700K	●	●	●	●	●	●
Dark Warm 2500K	●	●	●	●	●	●
RGB Full Color	NA	NA	NA	NA	NA	NA

Lumen output for type "OS" (CRI Ra98 R9 90 typical) is lower than "LUMINOUS" series (high-efficient CRI Ra93) by approx 32%

\* For installation/wiring, refer to page 41.

## PROJECT REFERENCE



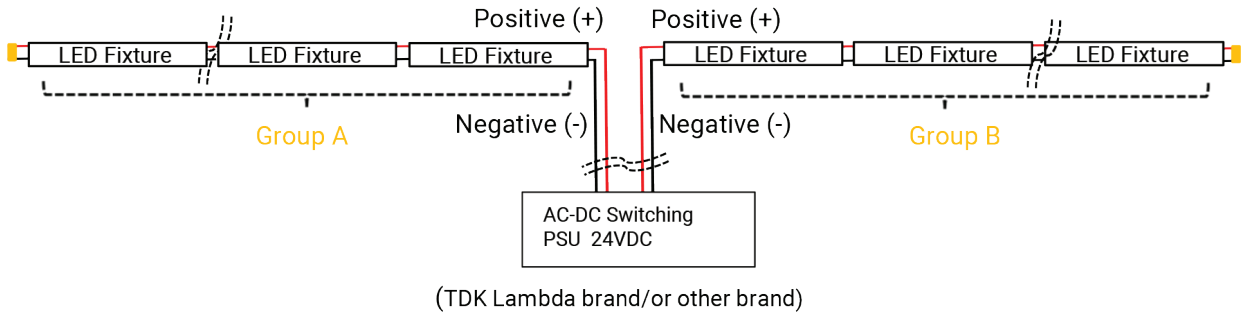
Virgin Active Fitness @ Bangkok



Dean & DeLuca @ Bangkok

## INSTALLATION GUIDE (FOR MONO-COLOUR LED FIXTURE)

Please strictly follow maximum fixture length of 4 meter in one series connection.  
(This is to minimize possible voltage drop).



Maximum length of each "Series" connection group  
(= Each of Group A & Group B as per above diagram)

V-Cove VH type / 13.7W per meter type	5 meter
V-Cove VM type / 6.0W per meter type	10 meter
V-Cove VE type / 1.5W per meter type	16 meter
V-Cove II P23 13.7W per meter type	5 meter
V-Cove II P46 9.0W per meter type	7 meter
Dot-Less II DL type/17W per meter type	4 meter
Dot-Less II DE type/8W per meter type	8 meter
Dot-Less 1-2	4 meter
V-Wash II	3 meter

### Caution 1

Make sure polarity (plus & minus) of all DC/LED wires are correct before switching on.  
Take note white colour wire of V-Cove is positive (+), and black colour wire is negative (-).  
Reverse connection may damage LED circuit.



Black Wire = Minus (-)  
White/ Red Wire = Positive (+)



White Cable = Positive (+)  
Black Cable = Negative (-)



White Cable = Positive (+)  
Two Black Cable = Negative (-)  
(to be joined together)

### Caution 2

For extension wire from switching PSU to LED, use AWG16(1.309mm<sup>2</sup>) or thicker wire, provided distance between power supply unit and 1<sup>st</sup> LED is within 6 meter. Should distance between power supply unit and 1<sup>st</sup> LED exceeds 6 meter, please consult us individually on case-by-case basis, so that we will propose suitable wire gauge as well as wiring layout.

### Caution 3

Depending on various type of nominal wattage for 24Vdc PSU, load ratio of LED must be properly calculated. Ideally LED load ratio should be controlled below 85% against nominal wattage of PSU based on indoor application where ambient temperature is set below 25°. For example, if 150W 24Vdc PSU is used, maximum load shall be within 127W (150W x 85%).